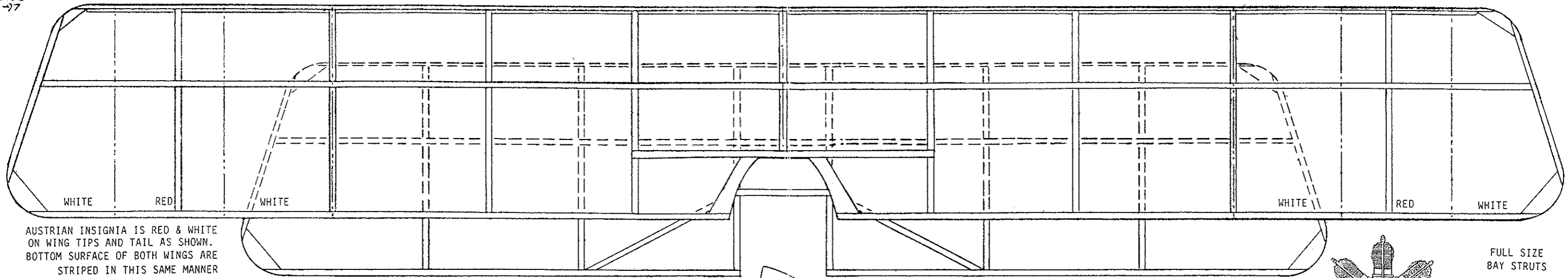


2-97

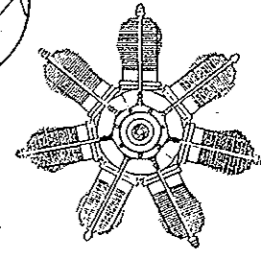


AUSTRIAN INSIGNIA IS RED & WHITE ON WING TIPS AND TAIL AS SHOWN. BOTTOM SURFACE OF BOTH WINGS ARE STRIPED IN THIS SAME MANNER

COLOR SCHEME

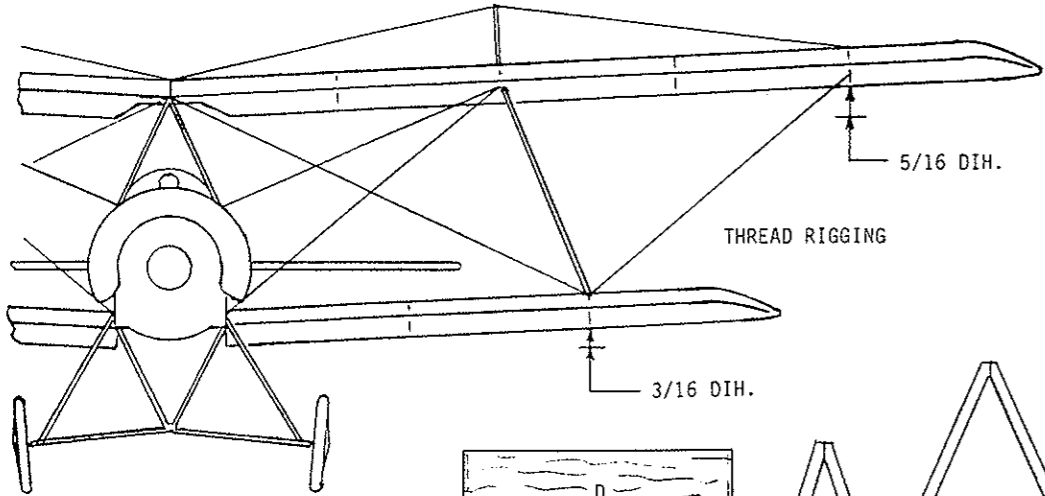
ALL STIFF PAPER PARTS GREY, REST OF SHIP IS OFF WHITE. BAY STRUTS NATURAL, ALL OTHERS GREY. AUSTRIAN INSIGNIA IS RED AND WHITE STRIPES AS SHOWN. BLACK NUMERALS.

MOTOR TRIM TO FIT ON NOSE INSIDE COWL

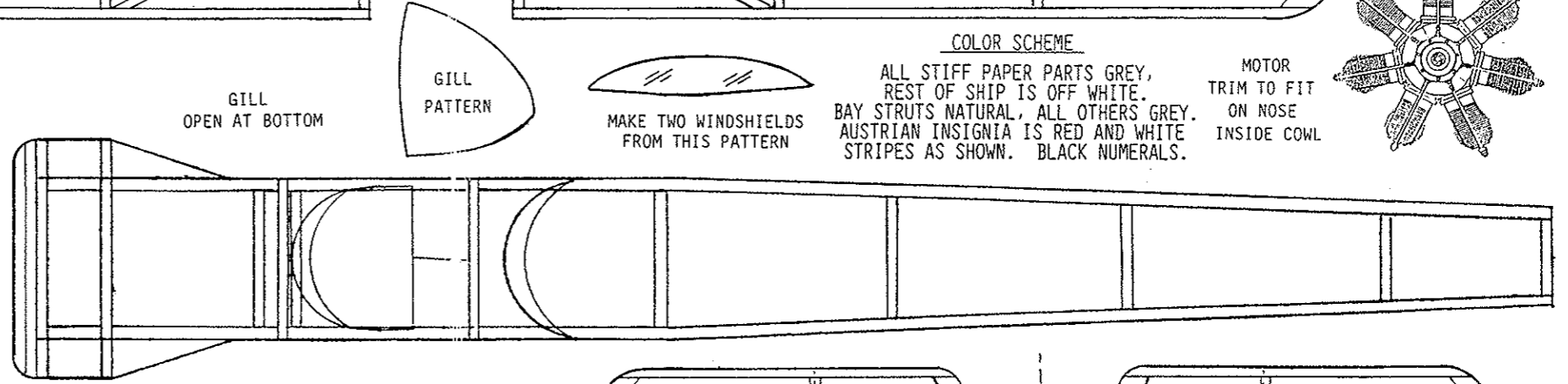


FULL SIZE BAY STRUTS

FWD. AFT



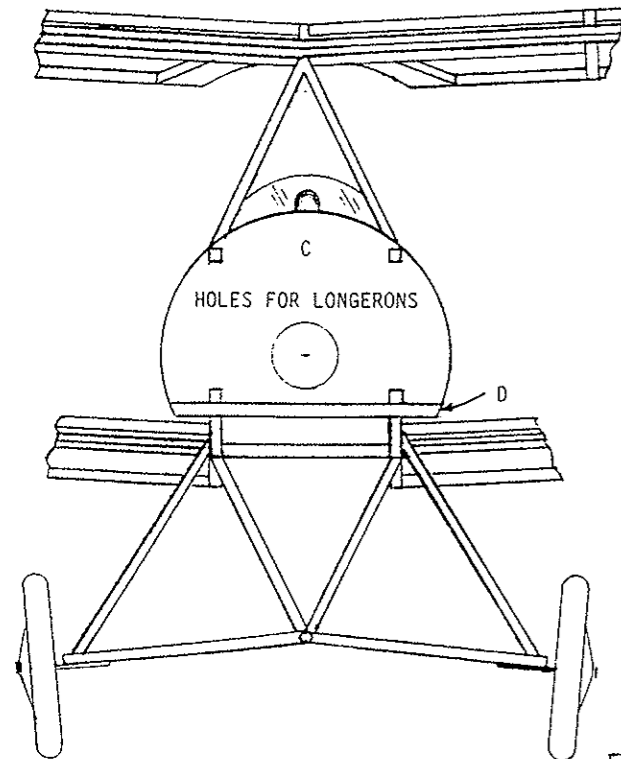
FRONT VIEW



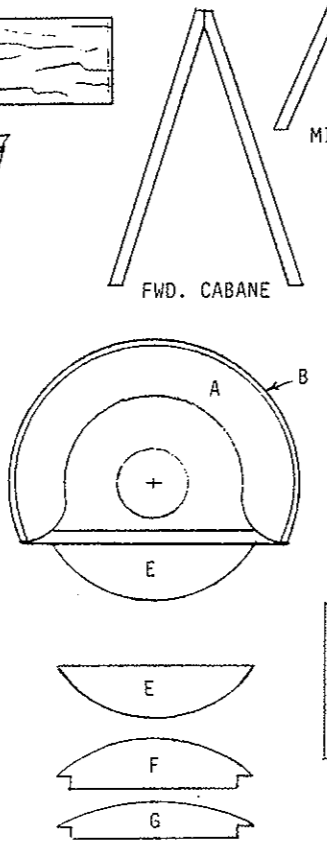
GILL OPEN AT BOTTOM

GILL PATTERN

MAKE TWO WINDSHIELDS FROM THIS PATTERN



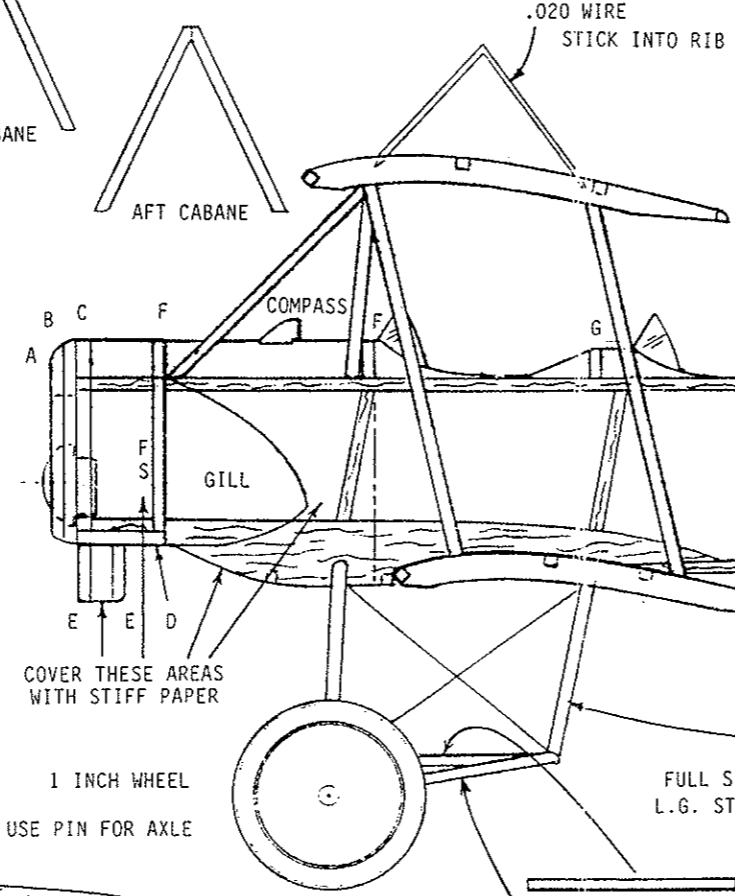
FULL SIZE FRONT L.G. STRUTS MAKE OVER PLAN



MID CABANE

AFT CABANE

FWD. CABANE

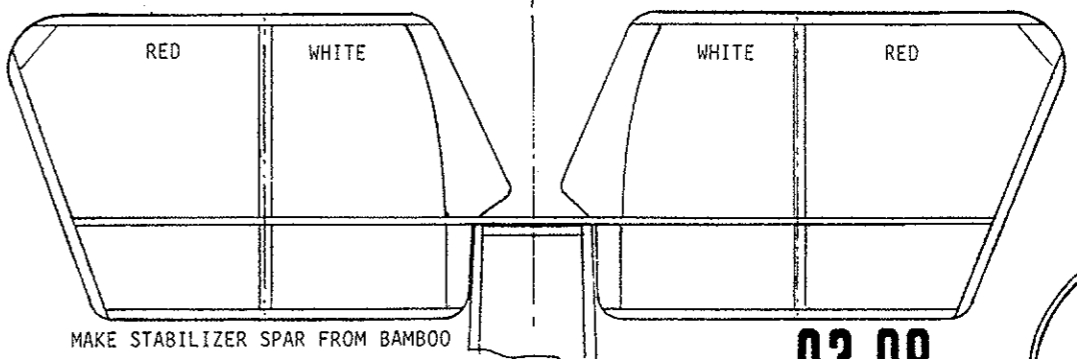


.020 WIRE STICK INTO RIB

COVER THESE AREAS WITH STIFF PAPER

1 INCH WHEEL USE PIN FOR AXLE

FULL SIZE L.G. STRUTS



MAKE STABILIZER SPAR FROM BAMBOO

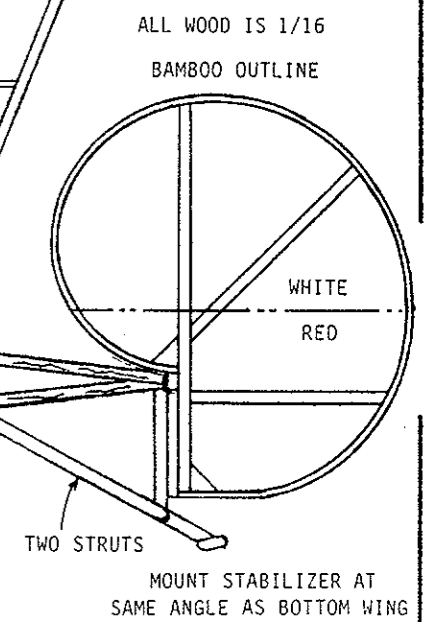
CUT NUMBERS FROM PLAN AND STICK TO FUSELAGE SIDES

03.09

03.09

HARDWOOD DOWEL MOTOR PEG

REAR COCKPIT PATTERN MAKE FROM STIFF PAPER FRONT COCKPIT PATTERN



ALL WOOD IS 1/16 BAMBOO OUTLINE

TWO STRUTS

MOUNT STABILIZER AT SAME ANGLE AS BOTTOM WING

★ AIRDEVIL MODEL CO. ★

AUSTRO HUNGARIAN FOKKER B-1

WINGSPREAD-16" PRICE- 10¢

DRAWN BY- FOKKER

TEST PILOT O.K.- FELDWEBEL HEFTY

11.9.98