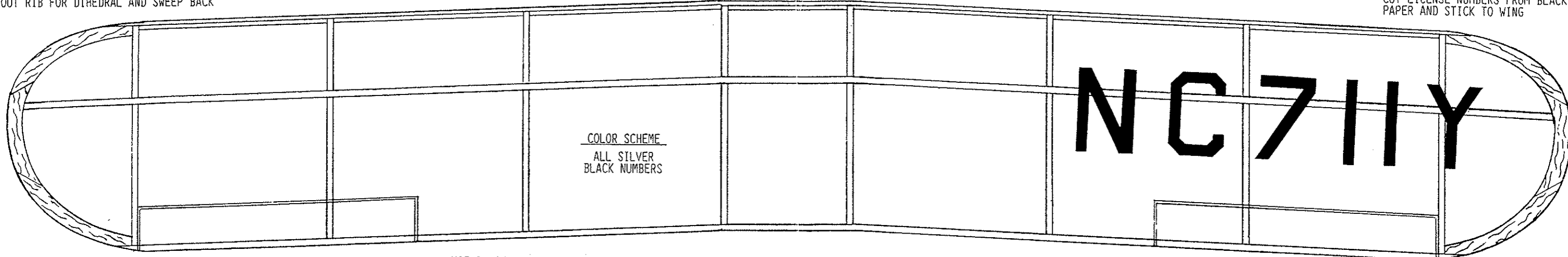


CRACK WING L. E. , SPAR, AND T. E. AT  
ROOT RIB FOR DIHEDRAL AND SWEEP BACK

CUT LICENSE NUMBERS FROM BLACK  
PAPER AND STICK TO WING



COLOR SCHEME  
ALL SILVER  
BLACK NUMBERS

USE BLACK PAPER STRIPS  
TO OUTLINE CONTROLS

COWL PATTERN MAKE FROM THIN CARD

COCKPIT ROOF  
PATTERN

WINDSHIELD PATTERN  
FOLD ON DASH LINES

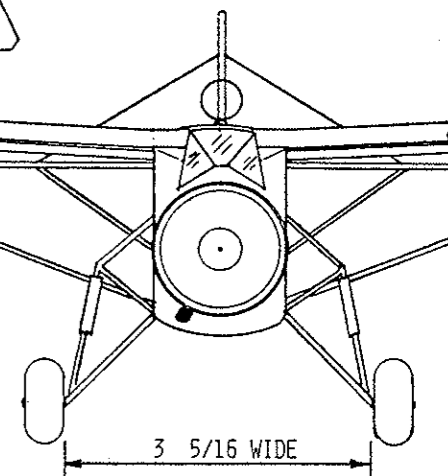
CABIN WINDOW TEMPLATE  
MAKE TWO FROM STIFF PAPER

5/16 DIHEDRAL  
UNDER END RIB

USE THREAD FOR TAIL RIGGING

FULL SIZE JURY STRUTS

STICK DASH BOARD  
TO FORMER 10

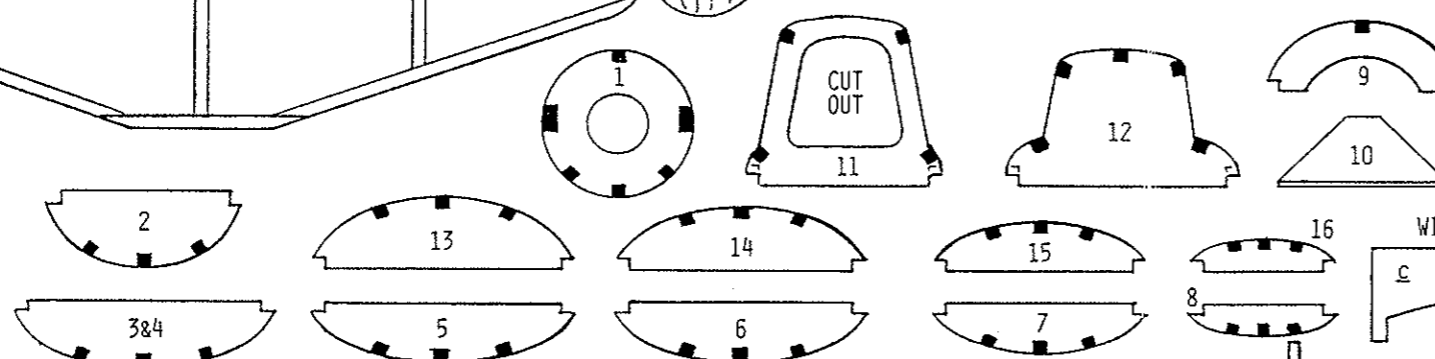


3 5/16 WIDE  
1/2 SIZE FRONT VIEW

FULL SIZE FWD,  
L.G. STRUTS

NC711Y

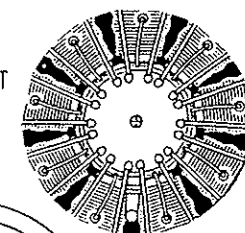
WING FAIRING TEMPLATES



WRAP STIFF PAPER AROUND 3/8 DOWL TO MAKE D.F. LOOP

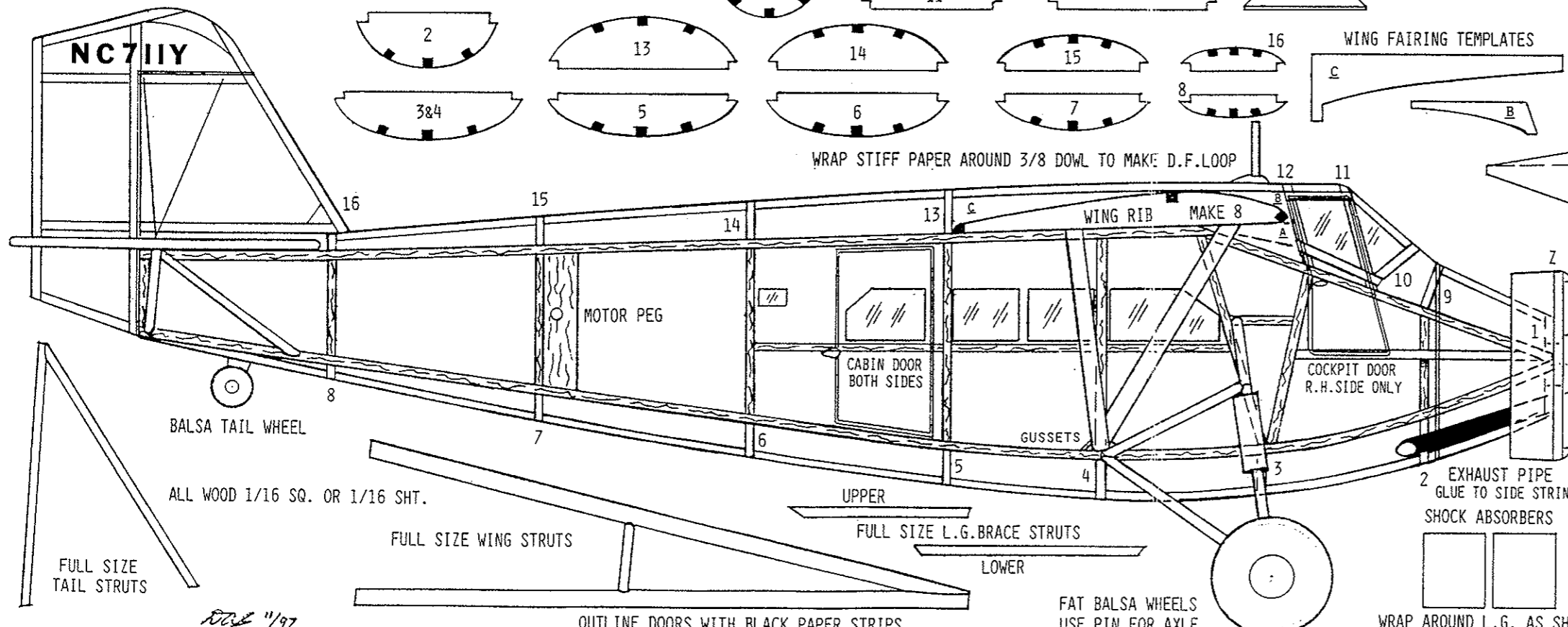
WING RIB MAKE 8

STICK MOTOR FRONT  
TO FORMER Z



TOP NOSE  
COVER PATTERN

COWL FORMERS Y&Z



MOTOR PEG

CABIN DOOR  
BOTH SIDES

COCKPIT DOOR  
R.H. SIDE ONLY

GUSSETS

NOSE PLUG

2 EXHAUST PIPE  
GLUE TO SIDE STRINGER  
SHOCK ABSORBERS

COCKPIT  
PATTERN

WRAP AROUND L.G. AS SHOWN

ALL WOOD 1/16 SQ. OR 1/16 SHT.

FULL SIZE  
TAIL STRUTS

FULL SIZE WING STRUTS

UPPER  
FULL SIZE L.G. BRACE STRUTS  
LOWER

FAT Balsa WHEELS  
USE PIN FOR AXLE

OUTLINE DOORS WITH BLACK PAPER STRIPS

AIRDEVIL MODEL CO.

PILGRIM YUKON BUSH PLANE

WINGSPREAD-16" PRICE- 10¢  
DRAWN BY- SHERMAN FAIRCHILD  
TEST PILOT O.K. - HAROLD GILLAM

11/97

11.9.78