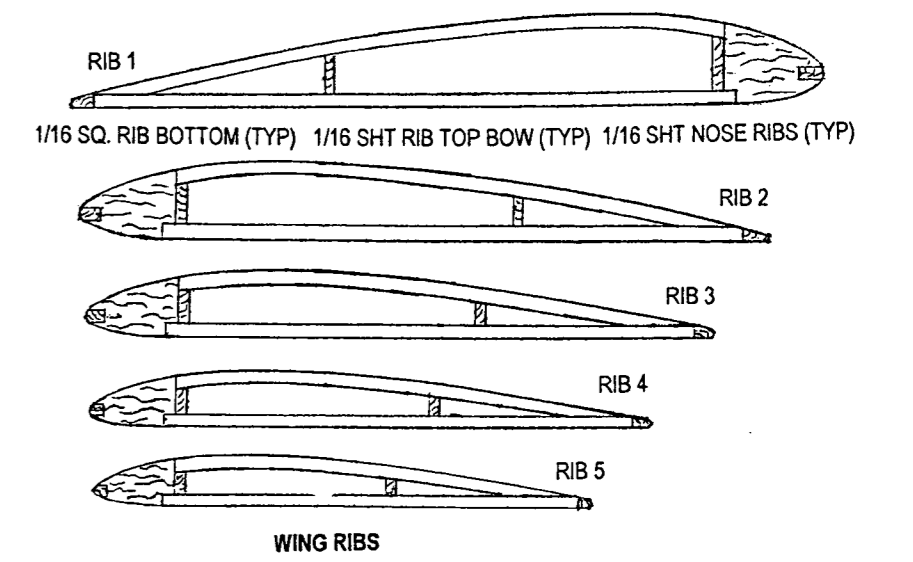
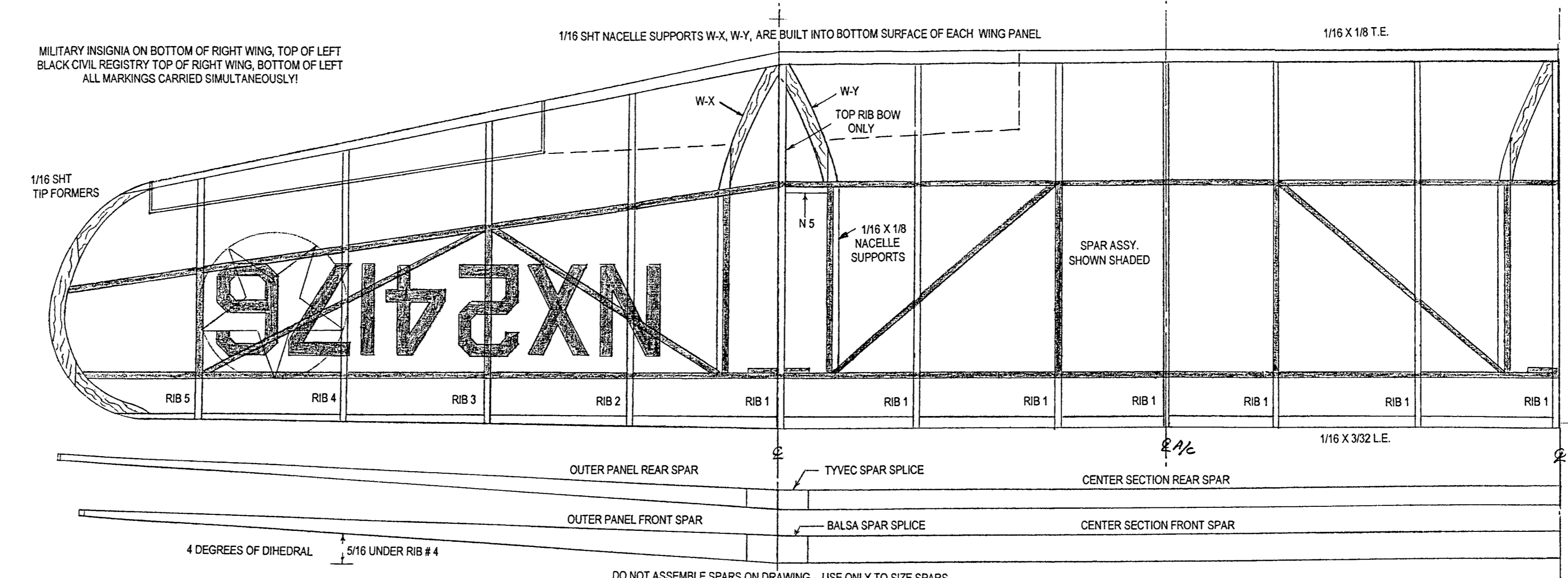
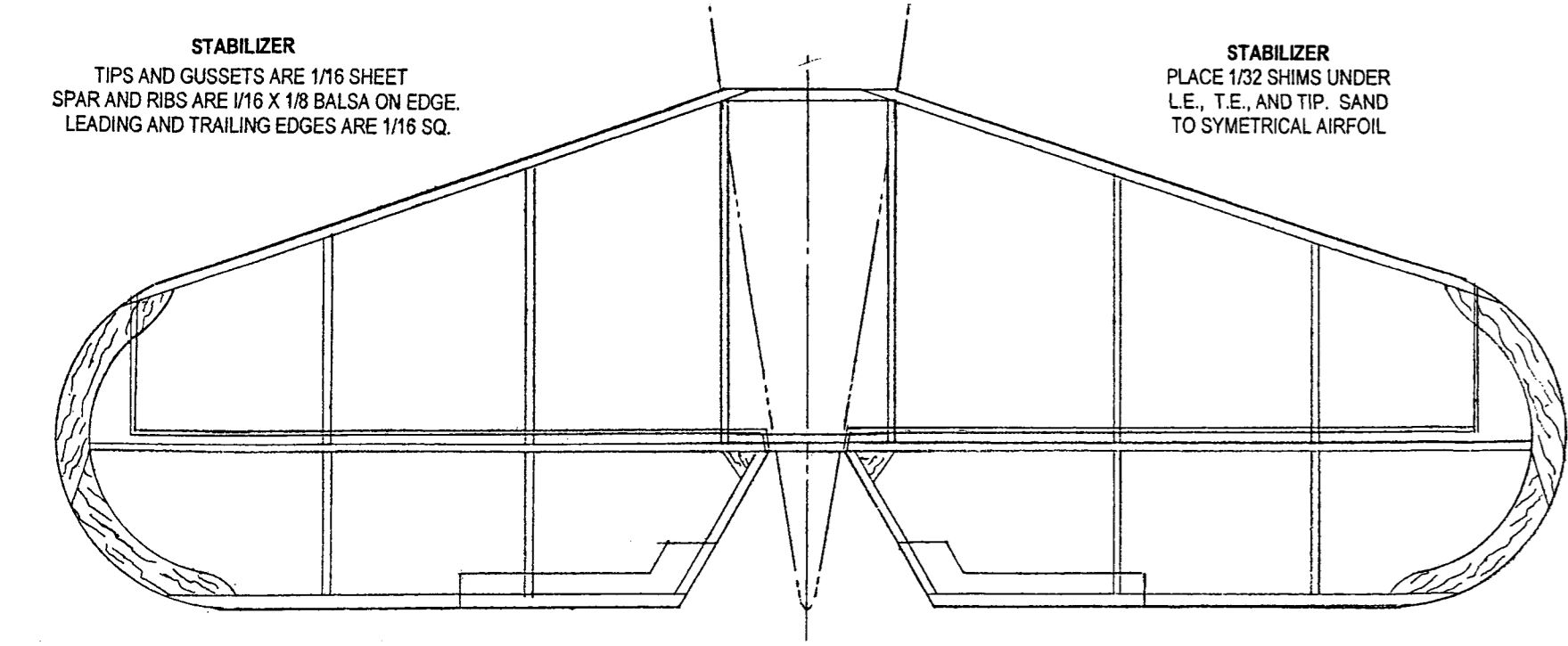
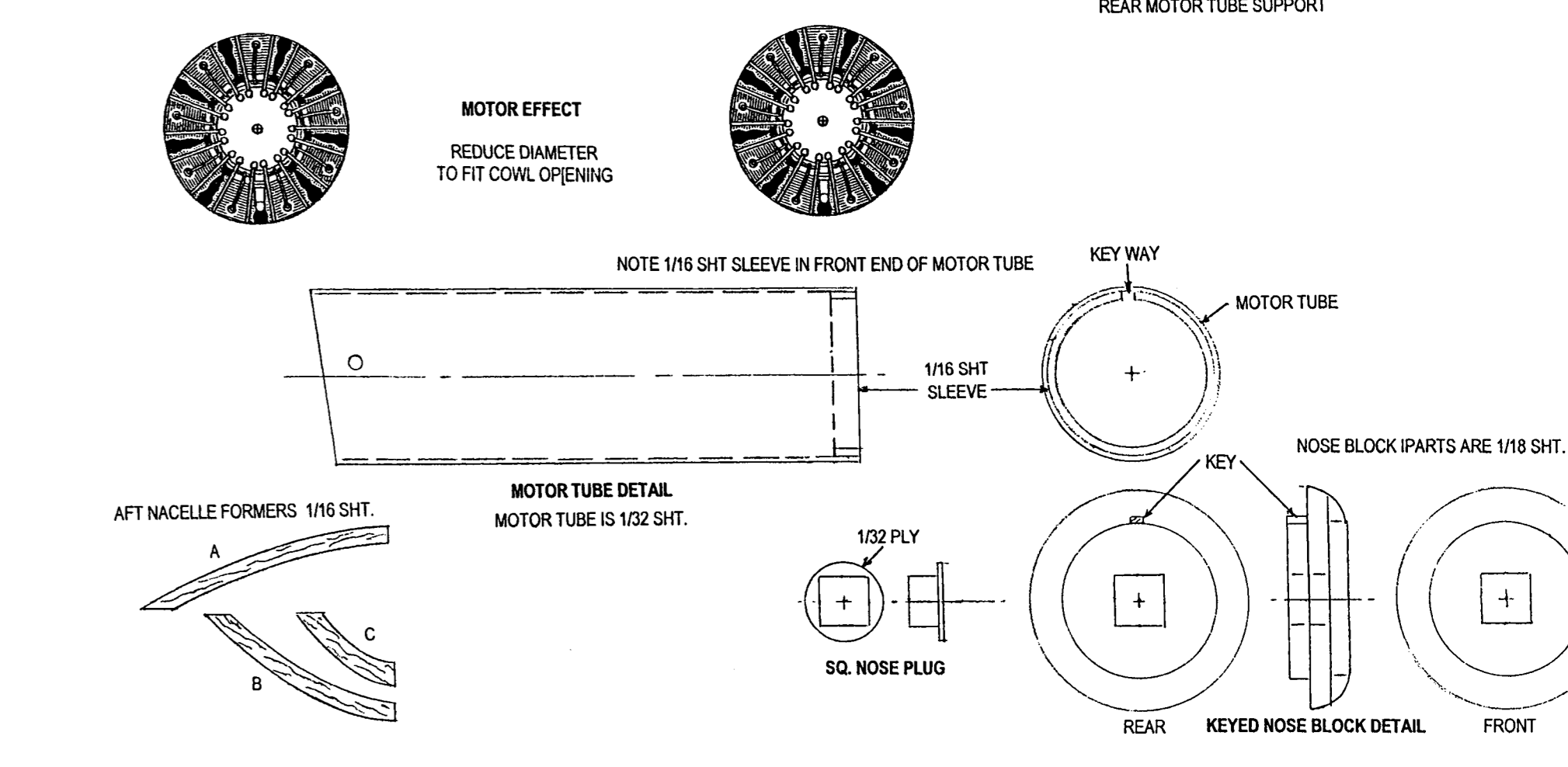
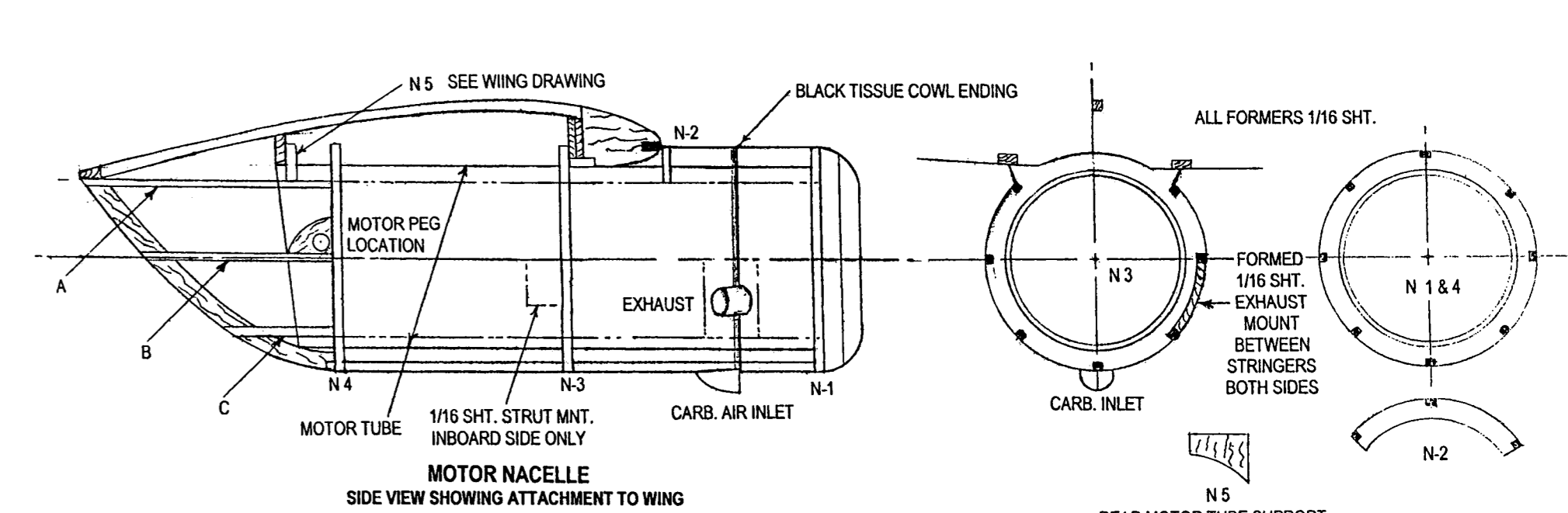
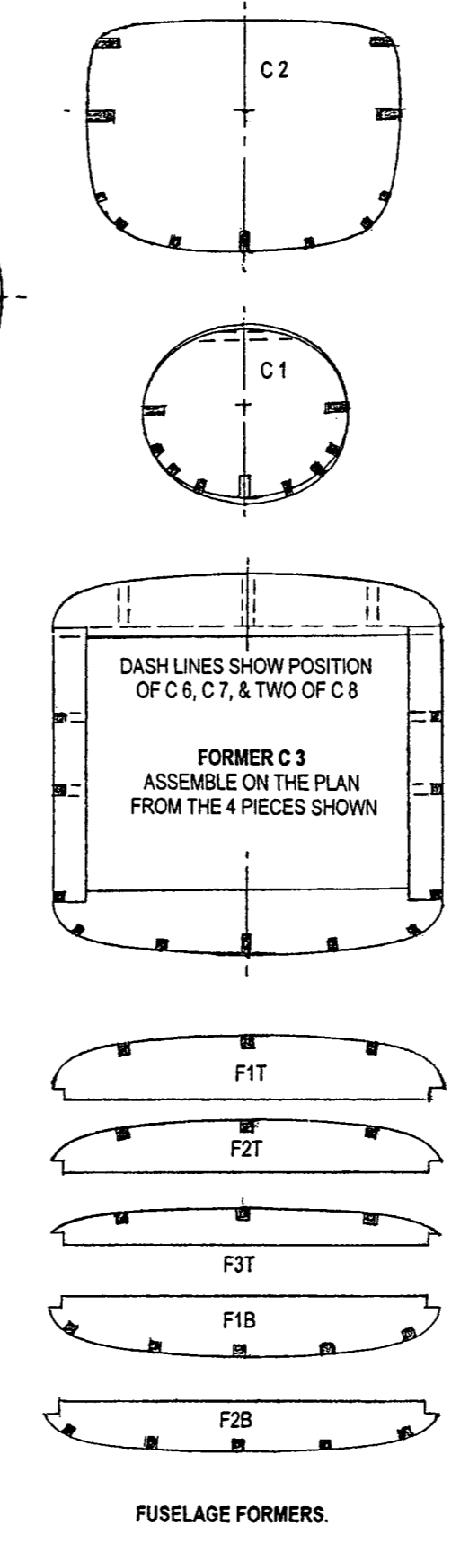
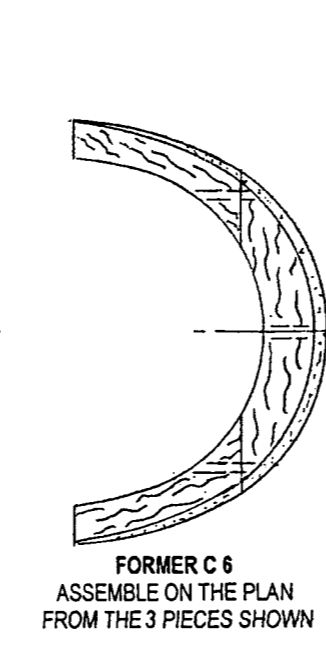
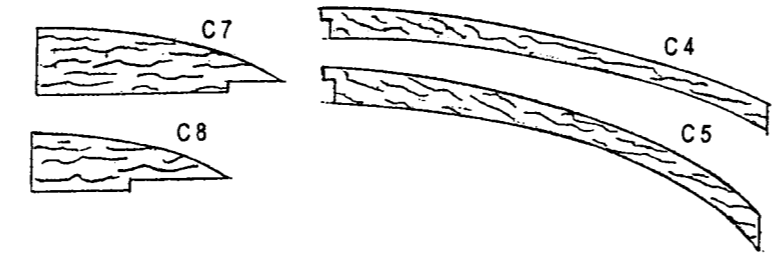


MAKE TAIL WHEEL FROM 1/8 SHEET
SIMULATE FORK WITH BOND PAPER

DOORS ARE LOCATED ON FAR SIDE ONLY



CESSNA C-106 LOADMASTER
AIRDEVIL MODEL COMPANY
BY DAVE STOTT
THIS DRAWING IS NOT TO BE COPIED OR MODIFIED IN WHOLE OR IN PART FOR SALES PURPOSES