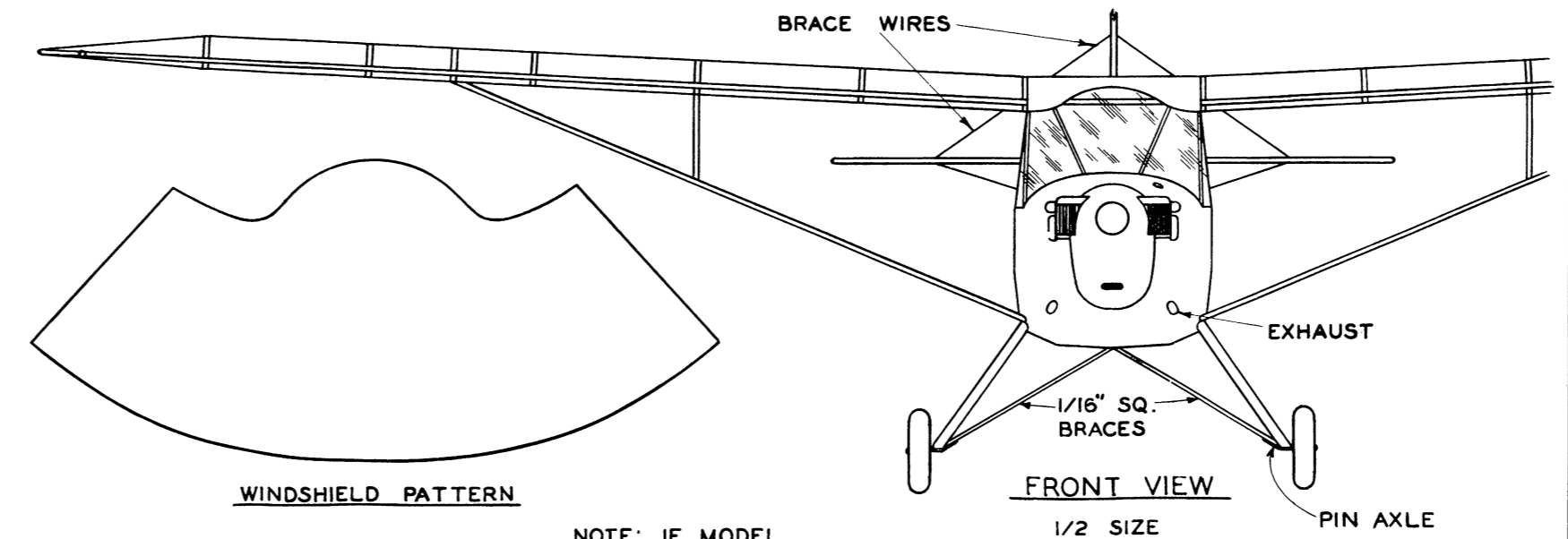
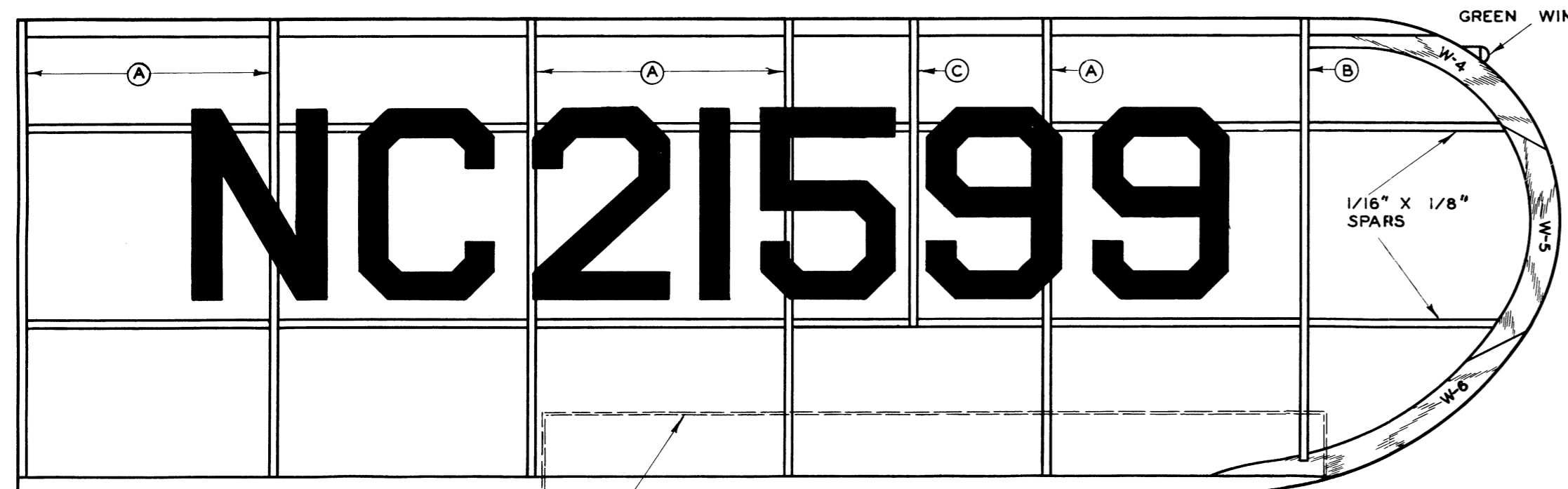
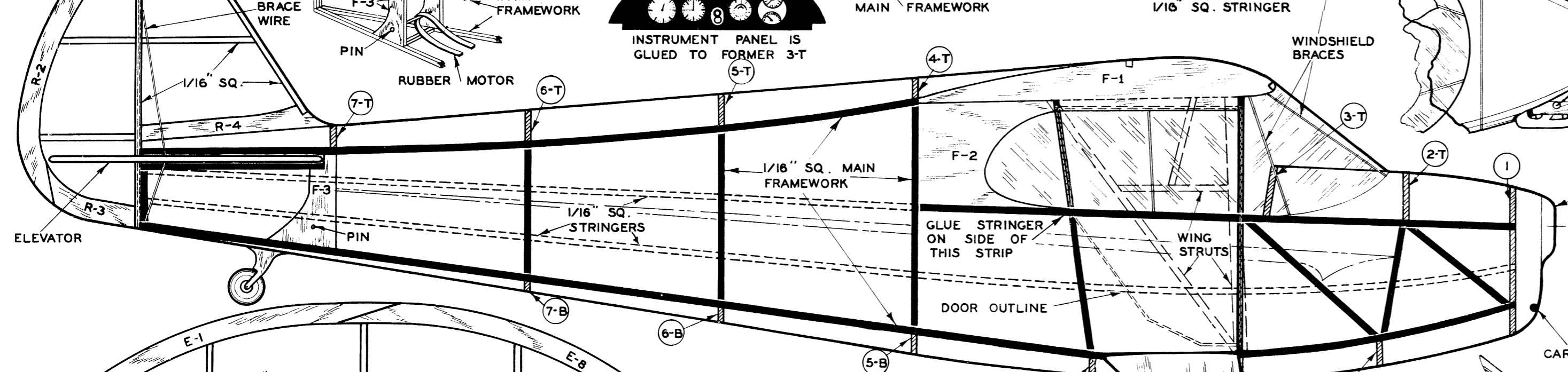
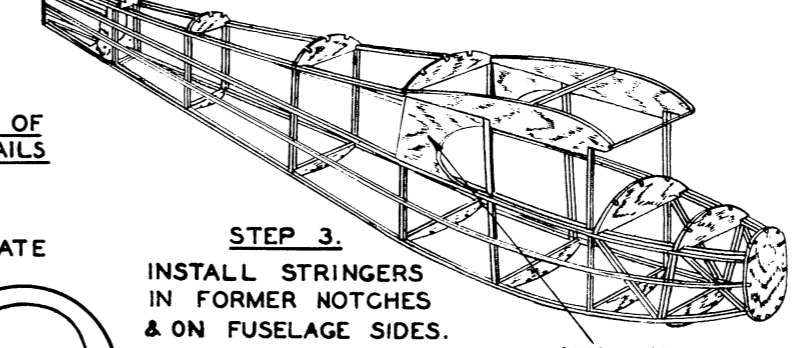
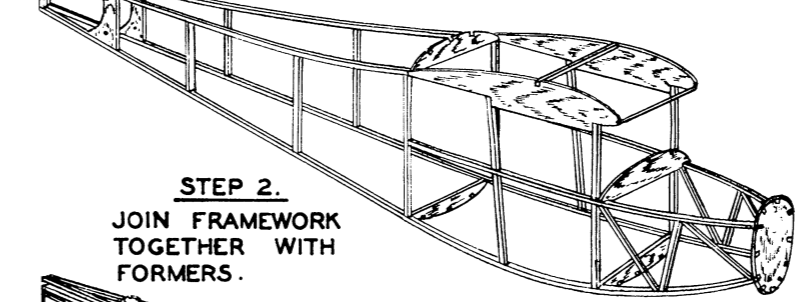
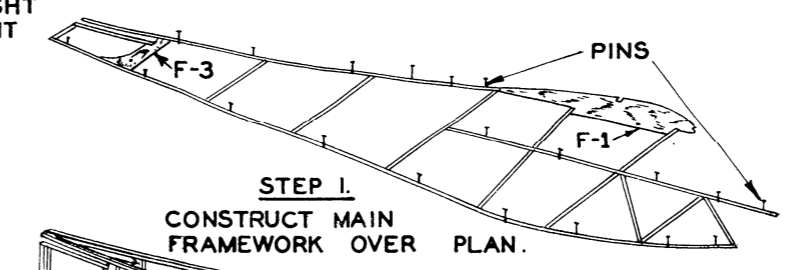
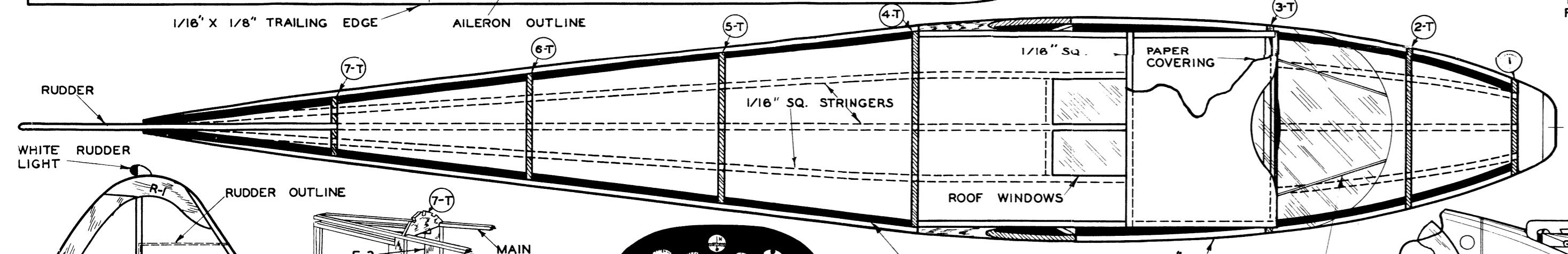


NC21599



NOTE: IF MODEL STALLS, ADD WEIGHT TO NOSE UNTIL IT FLIES EVENLY.

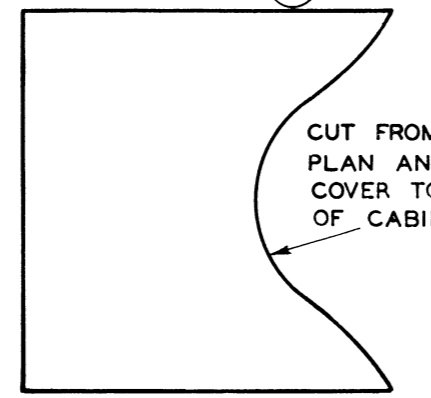
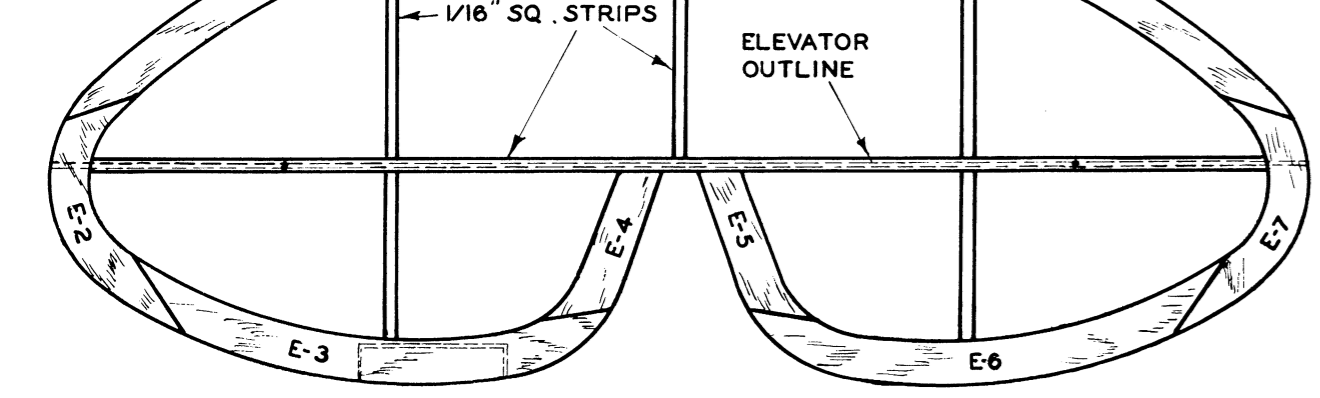


TOP VIEW OF NOSE DETAILS

NOSE PLATE

STEP 3. INSTALL STRINGERS IN FORMER NOTCHES & ON FUSELAGE SIDES.

GLUE IN PLACE F-2 AFTER SIDE STRINGERS ARE ON.



MOTOR ASSEMBLY

MAKE ONE FOR RIGHT AND ONE FOR LEFT SIDE.

SHAPE TO FIT NOSE

FINS ON MOTOR CYLINDERS ARE GROOVED IN WITH SHARP PENCIL.

PIPER CUB

WINGSPAN 25" LENGTH 15-5/8"

DRAWN BY *Joseph J. Tompkins* KIT NO. 3206

