

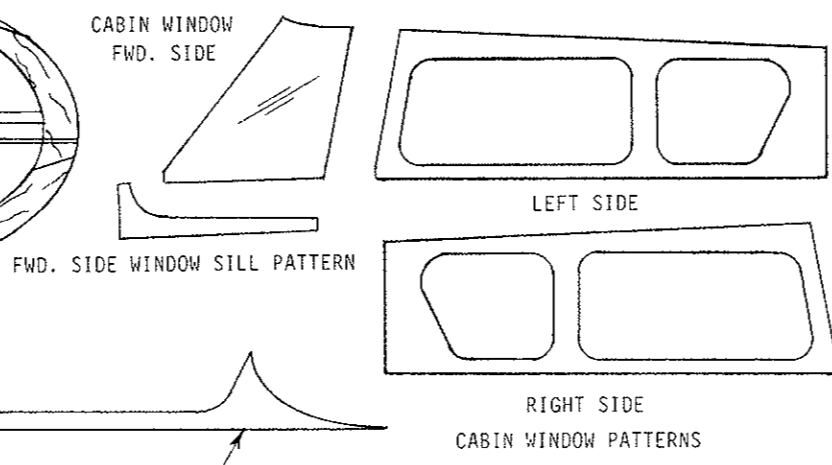
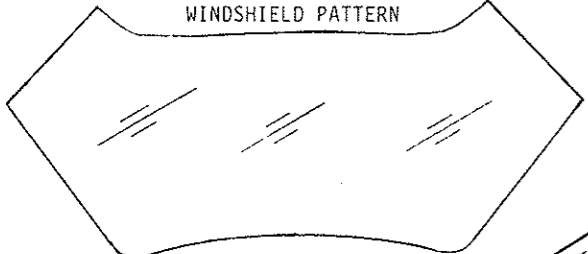
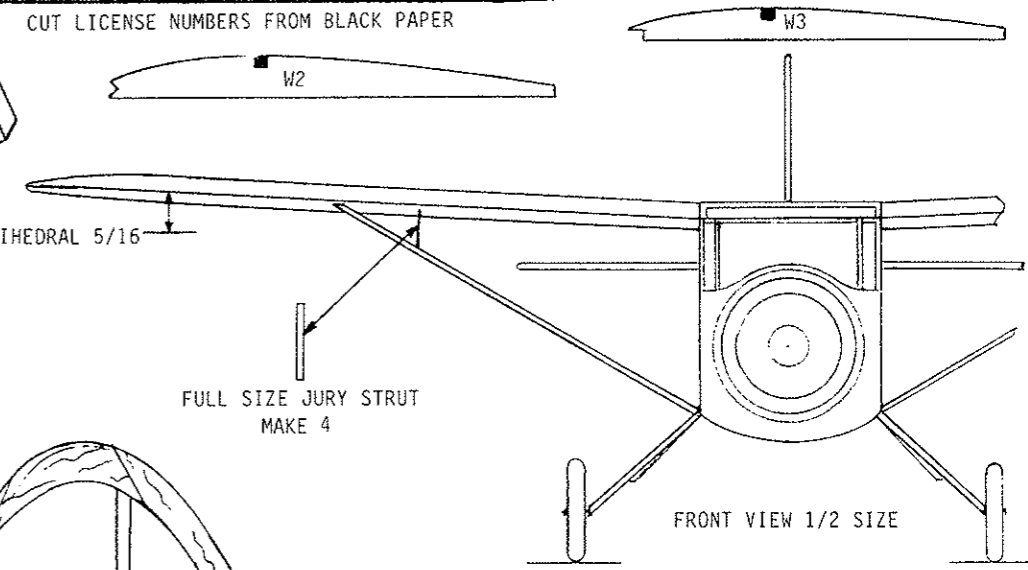
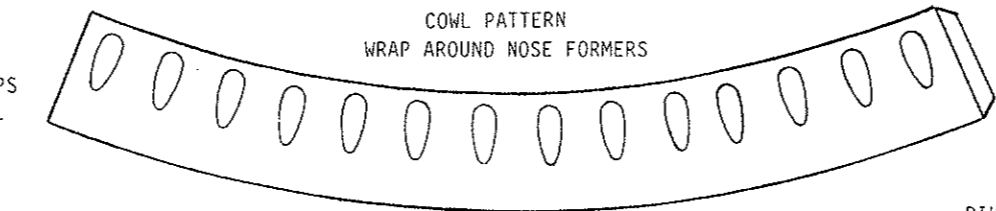
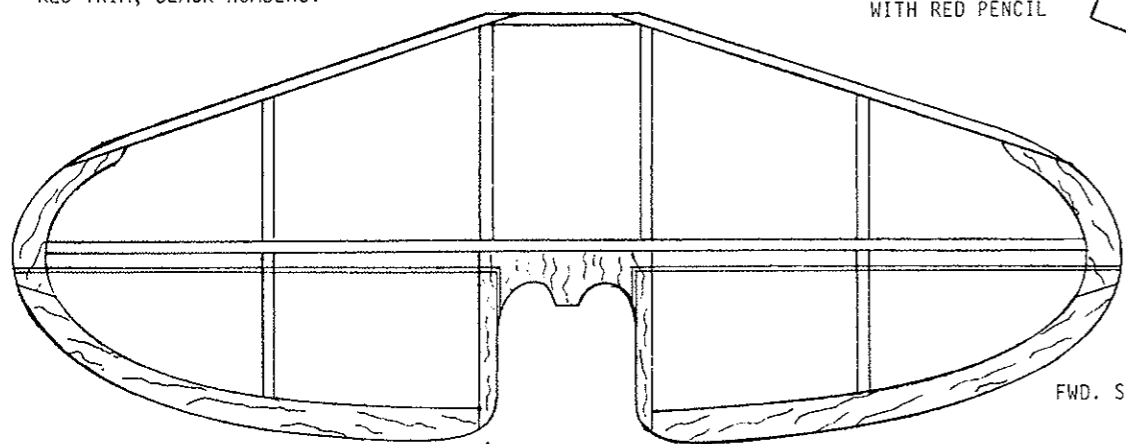
OUTLINE CONTROLS WITH BLACK PAPER STRIPS

CUT LICENSE NUMBERS FROM BLACK PAPER

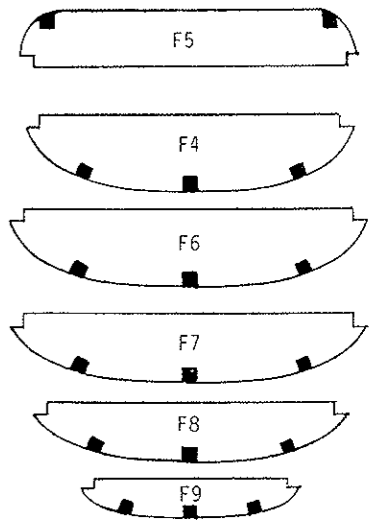
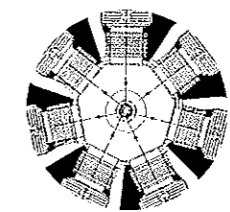
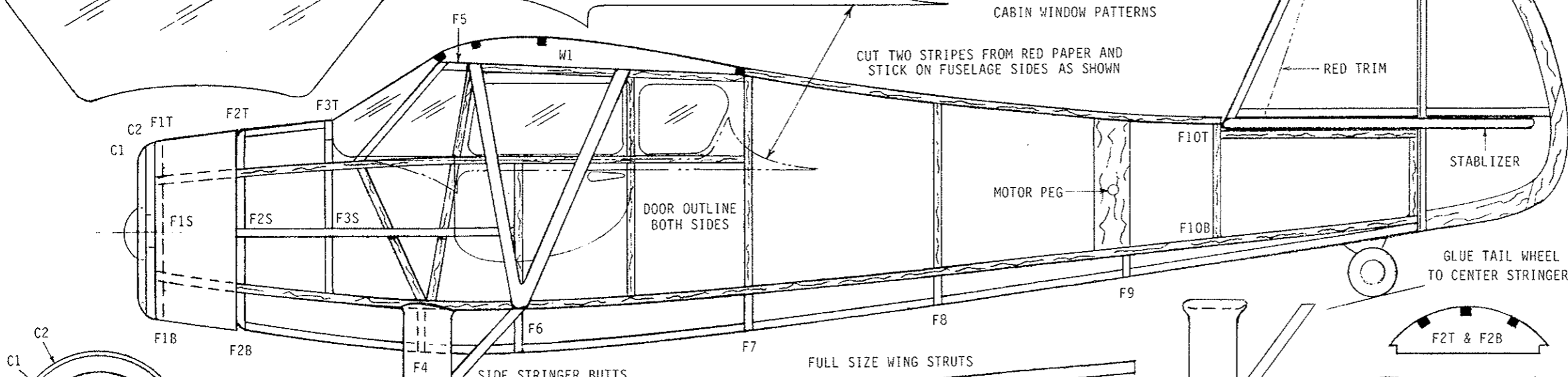
**COLOR SCHEME**  
ALL WHITE INCLUDING STRUTS.  
RED TRIM, BLACK NUMBERS.

FILL IN COWL BUMPS WITH RED PENCIL

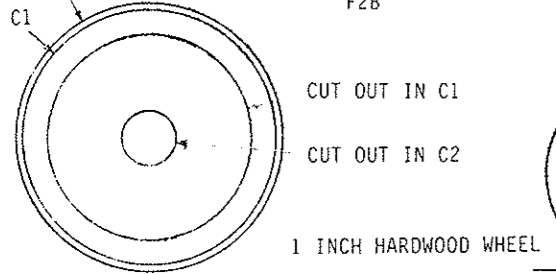
COWL PATTERN  
WRAP AROUND NOSE FORMERS



CUT TWO STRIPES FROM RED PAPER AND STICK ON FUSELAGE SIDES AS SHOWN



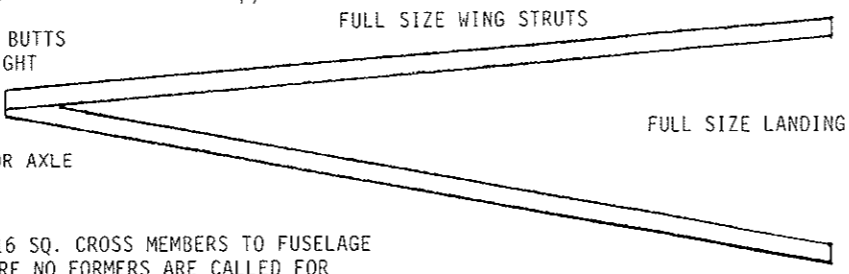
F10T & F10B ARE 1/16 Sq.



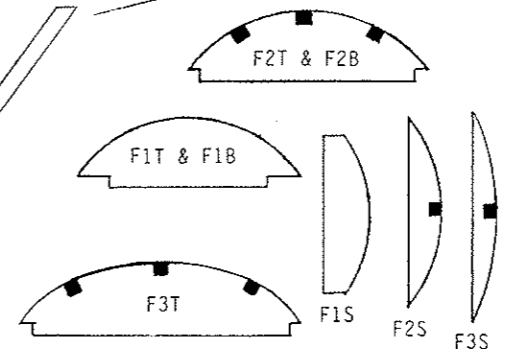
SIDE STRINGER BUTTS AGAINST UPRIGHT

USE PIN FOR AXLE

FIT 1/16 SQ. CROSS MEMBERS TO FUSELAGE WHERE NO FORMERS ARE CALLED FOR



GLUE TAIL WHEEL TO CENTER STRINGER



**AIRDEVIL MODEL CO.**

ONG CONTINENTAL  
WINGSPREAD-16 PRICE- 10¢  
DRAWN BY- V. L. ZIMMER  
TEST PILOT O.K. - Doc Blackburn

11.17.38