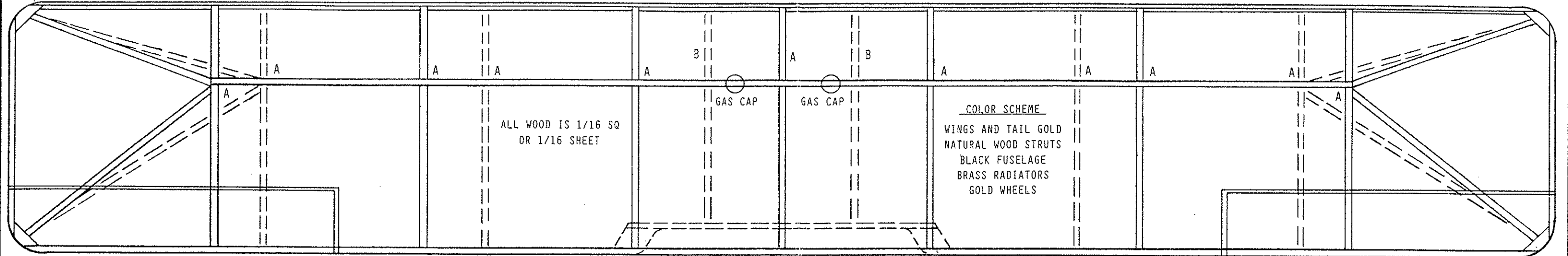
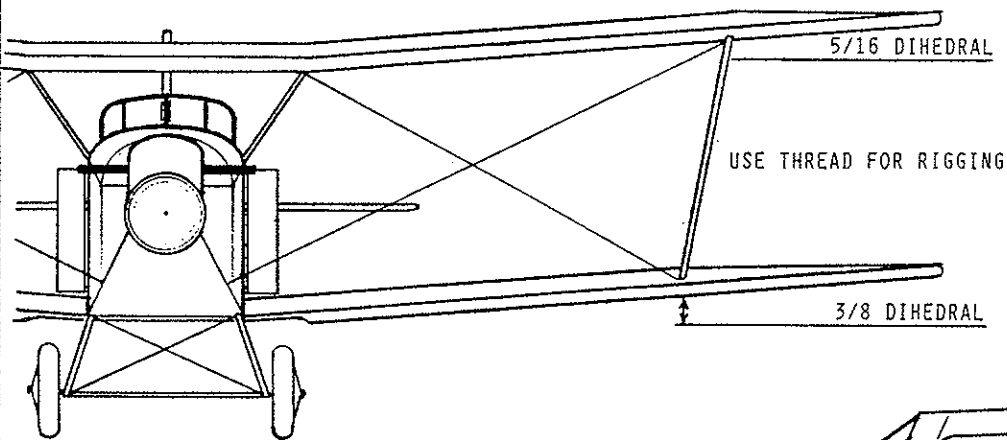


BOTTOM WING SHOWN BY DASH LINES



ALL WOOD IS 1/16 SQ OR 1/16 SHEET

COLOR SCHEME
WINGS AND TAIL GOLD
NATURAL WOOD STRUTS
BLACK FUSELAGE
BRASS RADIATORS
GOLD WHEELS



AXLE IS 1/16 X 3/16 X 2 3/8 LONG

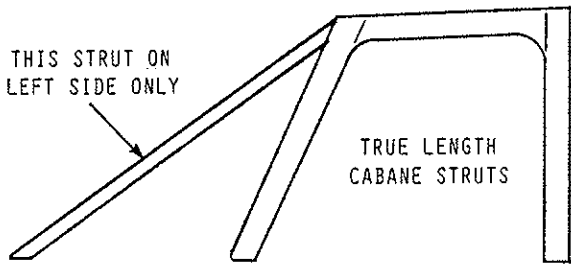
1/2 SIZE FRONT VIEW

COMPANY EMBLEM



STICK ON BOTH SIDES OF RUDDER

THIS STRUT ON LEFT SIDE ONLY

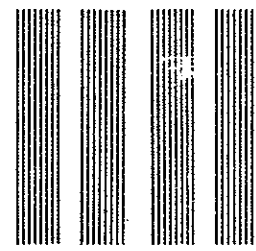


TRUE LENGTH CABANE STRUTS

AFT FWD.
TRUE LENGTH BAY STRUTS

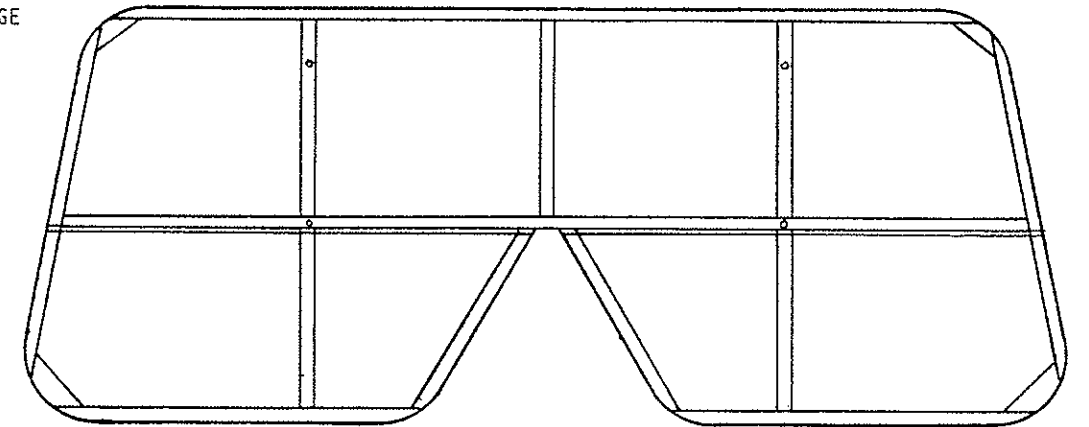
RADIATOR PATTERN
MAKE TWO FROM STIFF PAPER
MOUNT ON EACH SIDE OF FUSELAGE
AS SHOWN ON SIDE VIEW

RADIATOR TUBES



STICK TO FRONT AND REAR OF BOTH RADIATORS

AILERON OUTLINE ON TOP AND BOTTOM WINGS
STABILIZER



CUT CONTROL OUTLINES FROM BLACK PAPER & STICK IN PLACE

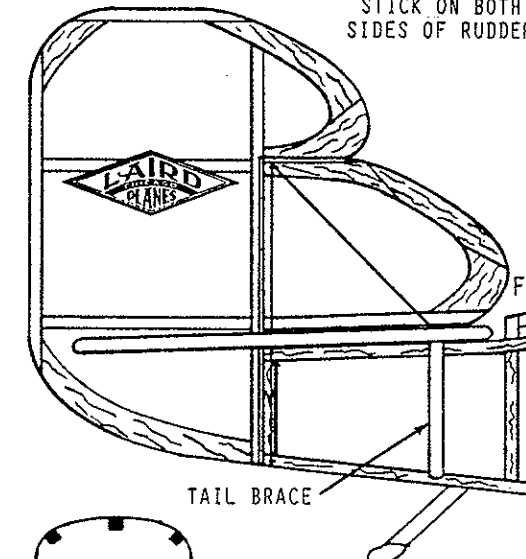
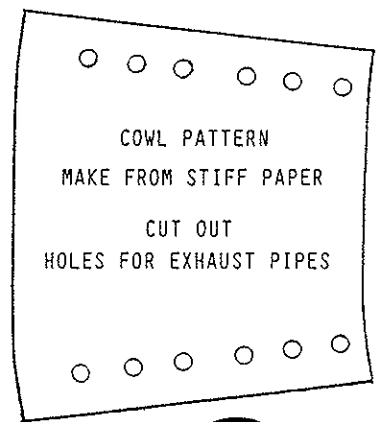
WINDSHIELD PATTERN



EXHAUST PIPE

MAKE SIX FROM 1/16 SQ. SANDED ROUND SLIDE THROUGH HOLES IN COWL

COWL PATTERN
MAKE FROM STIFF PAPER
CUT OUT HOLES FOR EXHAUST PIPES



TRUE LENGTH TAIL BRACE

COVER FUSELAGE SIDES IN CABIN AREA WITH STIFF PAPER
CUT OUT WINDOWS AND STICK CELLOPHANE TO INSIDE
DOOR ON LEFT SIDE ONLY

MOTOR PEG

GAS CAP

RIB A

USE THREAD FOR RIGGING

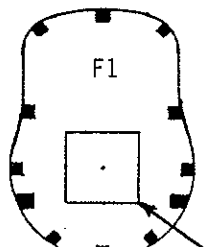
WATER CAP

RADIATOR

FRONT VIEW OF NOSE BLOCK

STAND OFF FROM SIDES WITH SHORT PIECE OF 1/16 SQ.

INSTRUMENT PANEL. STICK TO F3



F1

TAIL SKID

F4, 5, & 6

F7

F2

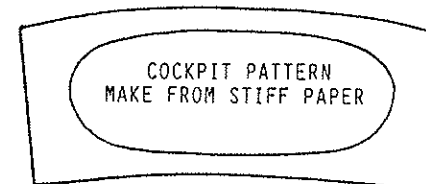
F3

F8

TRUE LENGTH LANDING GEAR STRUTS

1" HARDWOOD WHEEL
USE PIN FOR AXLE

COCKPIT PATTERN
MAKE FROM STIFF PAPER



AIRDEVIL MODEL CO.

LAIRD LIMOUSINE

WINGSPREAD-16" PRICE- 10¢
DRAWN BY- LLOYD STEARMAN
TEST PILOT O.K.- IRL BEACH