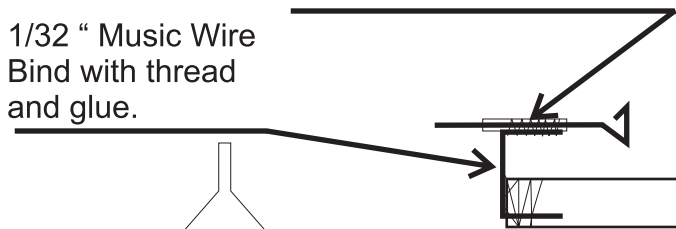


1/16" Brass Tubing, either thread wrapped and glued to music wire or thin copper wire wrapped and soldered to music wire. Or you can use a Small Peck Button.

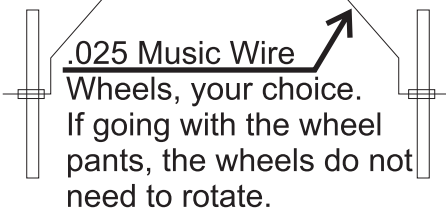
1/32 " Music Wire
Bind with thread and glue.

Motor Stick can be made from 1/8" x 3/8" Balsa, or can be a rolled balsa tube to save weight.

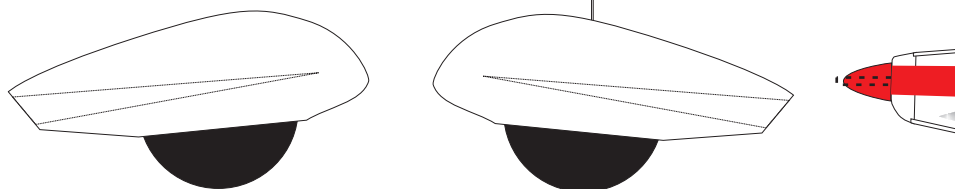
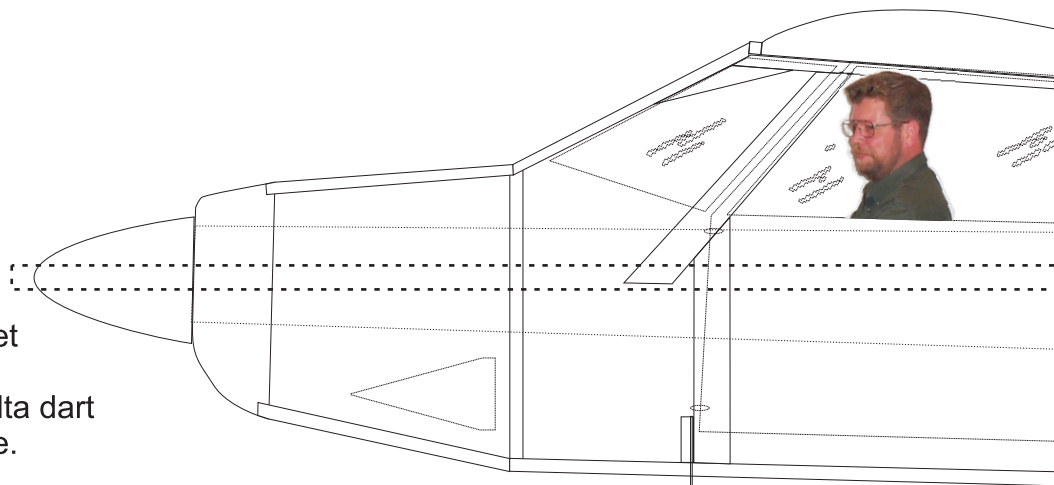
Complete Sta
Plane overall
Stripe down s
continuing up
Stripe on whe
White G-BOF
BD4 on fin W
UK Red Whit

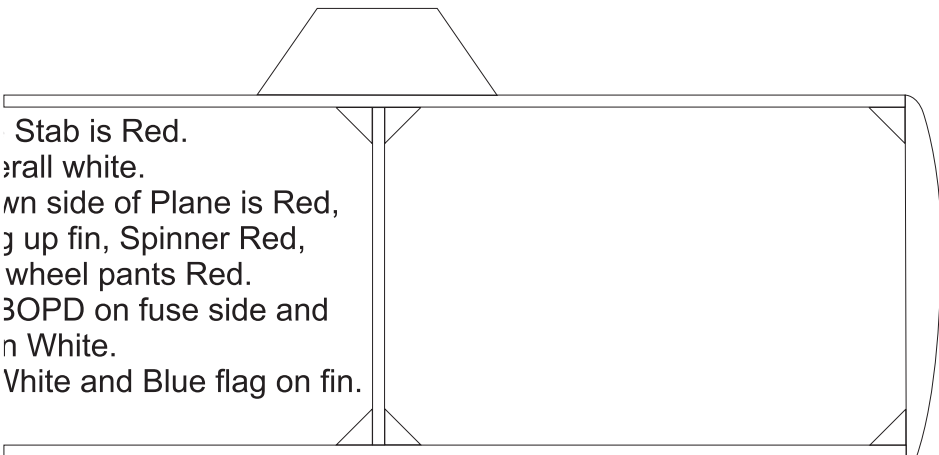
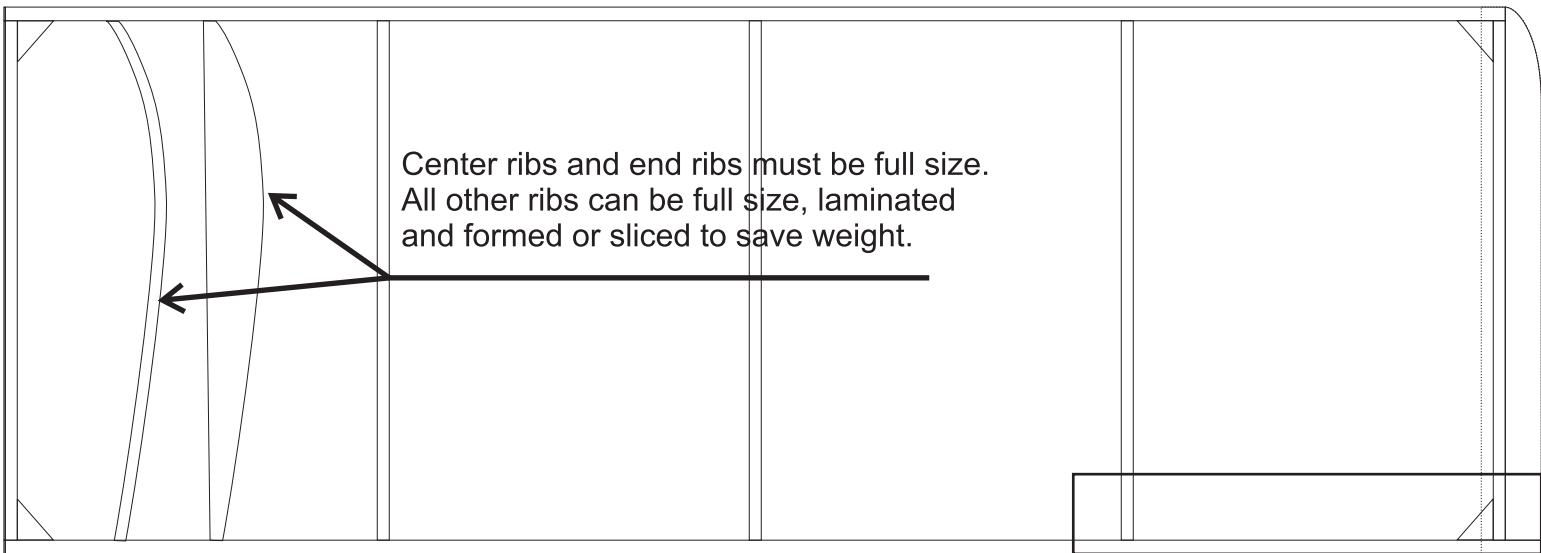


Top View of Motor Stick

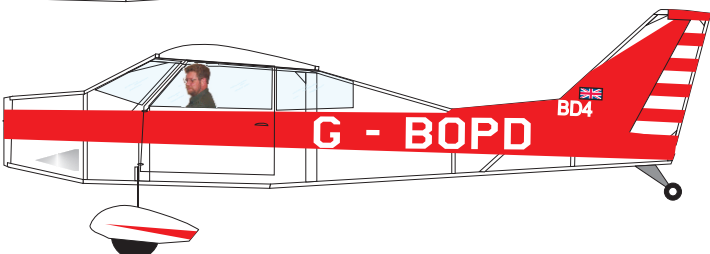
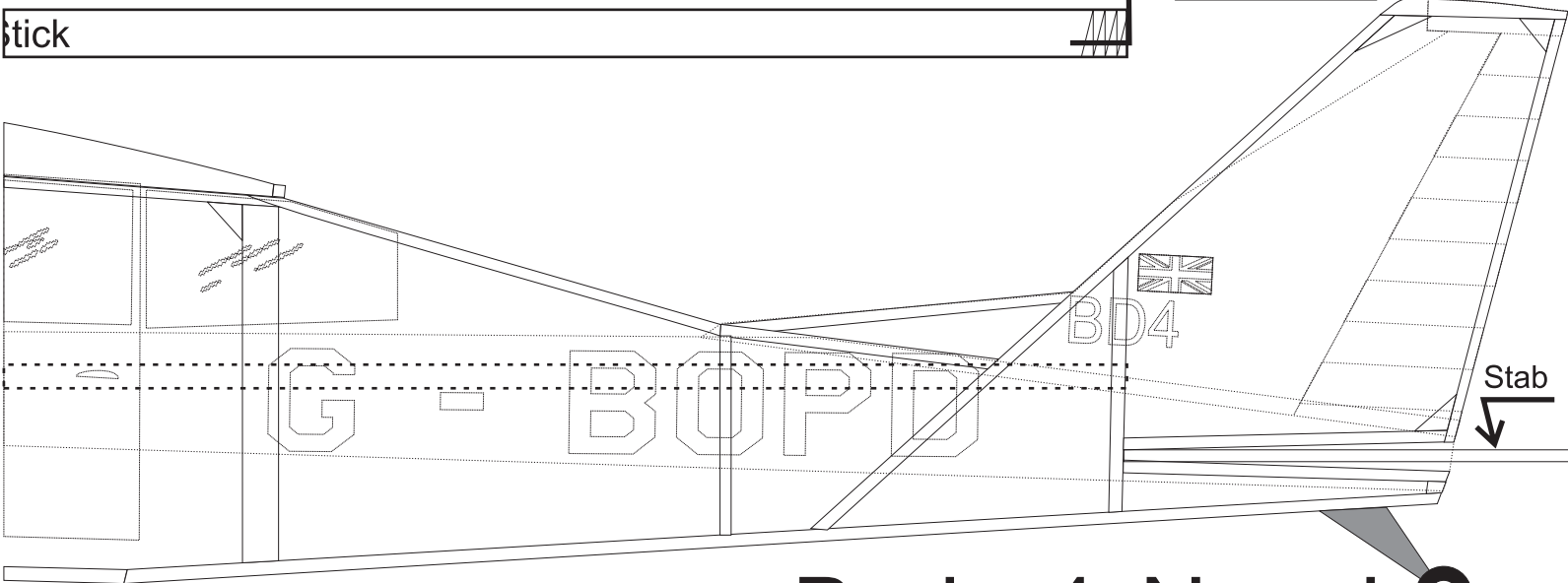


All structure is 1/16" square or sheet unless otherwise noted. Prototype flew well with a stock Delta dart 5.5" plastic prop, shaved to balance.





.025 Music Wire
Bind with thread
and glue.



Bede-4 Nocal

For FAC Competition

Designed and Drawn by
Chris A. Boehm 11/2011
merlin236@comcast.net